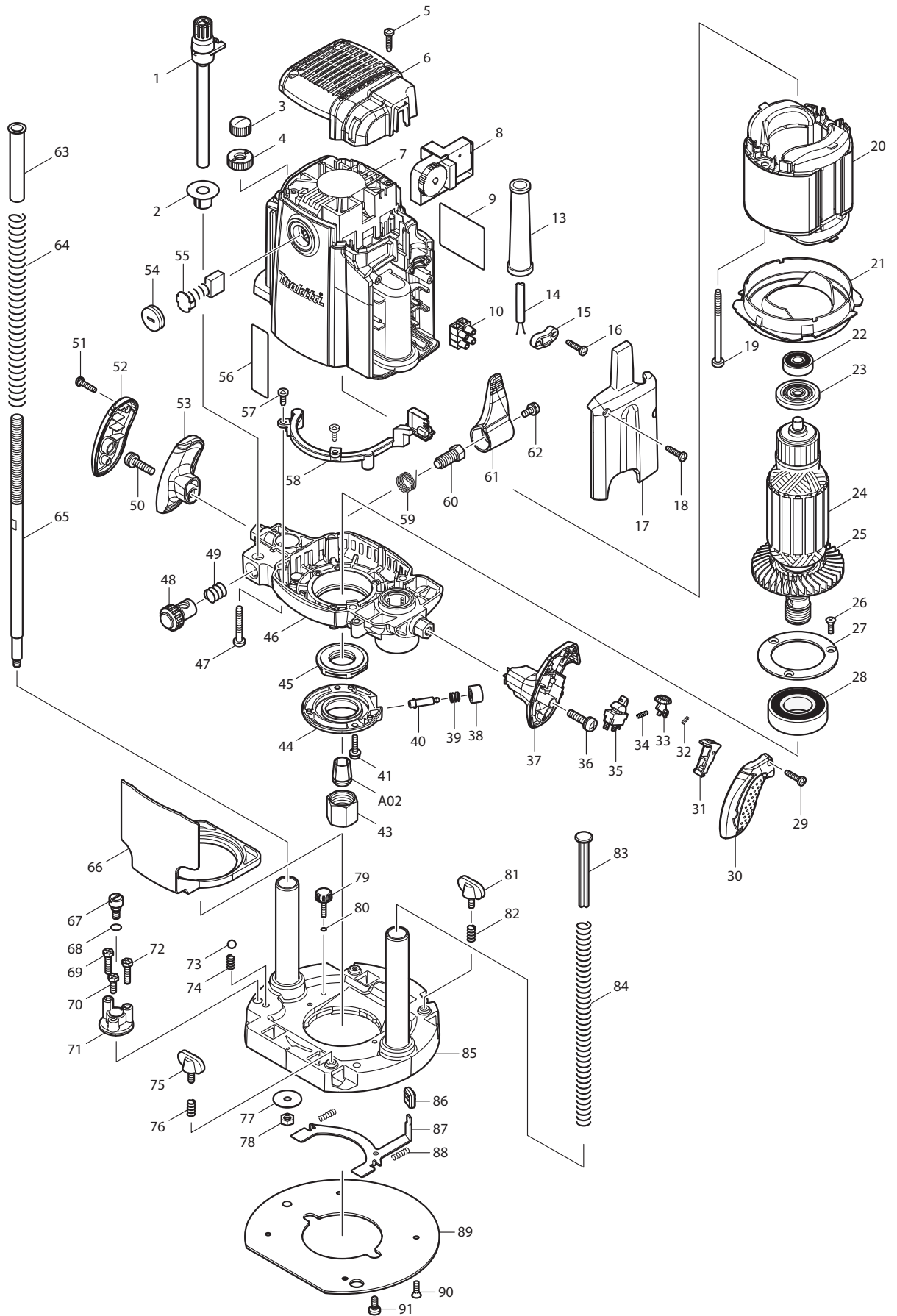




02 - 2010  
RP2301FC  
3 1/2 HP 1/2" ROUTER



Item No	Type	Ref	Re	Part No	Description	Qty	Unit
001				125542-4	THUMB SCREW M10X115 ASS'Y	1	PC.
002				450946-4	DEPTH POINTER	1	PC.
003				252643-6	WING NUT M10	1	PC.
004				410129-8	NYLON NUT M10	1	PC.
005				265995-6	TAPPING SCREW 4X18	2	PC.
006				450947-2	REAR COVER	1	PC.
007				140003-3	MOTOR HOUSING COMPLETE	1	PC.
		INC.		643707-1	BRUSH HOLDER	2	PC.
		INC.		638648-4	SUPPORT UNIT	1	PC.
		INC.		816922-2	SCALE PLATE	1	PC.
008				631858-2	CONTROLLER	1	PC.
009	1			866381-0	NAME PLATE F/RP2301FC	1	PC.
	2			811N11-2	NAME PLATE F/RP2301FC	1	PC.
010				654531-7	TERMINAL BLOCK 2P	1	PC.
013				682505-8	CORD GUARD 10-90	1	PC.
014				664463-0	CORD W/PLUG 2P-14-2.5M, SJ	1	PC.
015				687052-4	STRAIN RELIEF	1	PC.
016				265995-6	TAPPING SCREW 4X18	2	PC.
017				450949-8	COVER	1	PC.
018				265995-6	TAPPING SCREW 4X18	2	PC.
019				266059-9	TAPPING SCREW 5X75	2	PC.
020				636011-5	FIELD 115V	1	PC.
021				450944-8	BUFFLE PLATE	1	PC.
022				211092-6	BALL BEARING 629DDW	1	PC.
023				681631-0	INSULATION WASHER	1	PC.
024				517810-3	ARMATURE ASS'Y 100-115V	1	PC.
		INC.			Item No. 22, 23, 25	1	PC.
025				240112-9	FAN 80	1	PC.
026				251295-0	COUNTERSUNK HEAD SCREW M4X14 W/ADHESIVE	3	PC.
027				285731-4	BEARING RETAINER 60	1	PC.
028				211380-1	BALL BEARING 6205DDW	1	PC.
029				265995-6	TAPPING SCREW 4X18	2	PC.
030				450937-5	GRIP COVER R	1	PC.
031				450940-6	SWITCH LEVER	1	PC.
032				233024-3	COMPRESSION SPRING 4	1	PC.
033				450941-4	LOCK OFF BUTTON	1	PC.
034				231372-4	COMPRESSION SPRING 5	1	PC.
035				651430-4	SWITCH	1	PC.
036				911343-4	PAN HEAD SCREW M6X25	1	PC.
037				450936-7	GRIP R	1	PC.
038				450942-2	PUSH BUTTON	1	PC.
039				233072-2	COMPRESSION SPRING 8	1	PC.
040				268234-3	COLLARED PIN 6	1	PC.
041				911133-5	PAN HEAD SCREW M4X18	2	PC.
043				763674-5	COLLET NUT	1	PC.
044				318382-9	RETAINER COVER	1	PC.
045				285849-1	RETAINER	1	PC.
046				158972-4	MOTOR BRACKET COMPLETE	1	PC.
047				266012-5	TAPPING SCREW 5X35	4	PC.
048				153476-1	HALF NUT COMPLETE	1	PC.
049				231231-2	COMPRESSION SPRING 12	1	PC.
050				911343-4	PAN HEAD SCREW M6X25	1	PC.
051				265995-6	TAPPING SCREW 4X18	2	PC.

Item No	Type	Ref	Re Part No	Description	Qty	Unit
052			450939-1	GRIP COVER L	1	PC.
053			450938-3	GRIP L	1	PC.
054			643700-5	BRUSH HOLDER CAP 7-18	2	PC.
055	2		194991-6	CARBON BRUSH CB203 2PC/SET (W/ ORIGIN)	1	SET
056			816926-4	INDICATION LABEL	1	PC.
057			266026-4	TAPPING SCREW BIND CT 4X12	2	PC.
058			631862-1	LED CIRCUIT	1	PC.
059			233538-2	TORSION SPRING 15	1	PC.
060	2		265C75-6	SET BOLT M10	1	PC.
061			450950-3	LOCK LEVER	1	PC.
062			911213-7	PAN HEAD SCREW M5X12	1	PC.
063			450943-0	SILENT POLE	1	PC.
064			234106-4	COMPRESSION SPRING 13	1	PC.
065			325652-9	SCREW M10	1	PC.
066			450953-7	TIP DEFLECTOR	1	PC.
067			251467-7	- FLAT HEAD SCREW M6	1	PC.
068			213030-4	O RING 8	1	PC.
069			265587-1	+HEX. BOLT M5X20	1	PC.
070			265586-3	+HEX. BOLT M5X14	1	PC.
071			315931-3	STOPPER	1	PC.
072			265587-1	+HEX. BOLT M5X20	1	PC.
073			216009-4	STEEL BALL 7.1	1	PC.
074			231419-4	COMPRESSION SPRING 5	1	PC.
075			265720-5	THUMB SCREW M5X14	1	PC.
076			231240-1	COMPRESSION SPRING 7	1	PC.
077			253783-3	FLAT WASHER 6	1	PC.
078			931303-0	HEX. NUT M6	1	PC.
079			265774-2	THUMB SCREW M4X19	1	PC.
080			213022-3	O RING 3	1	PC.
081			265720-5	THUMB SCREW M5X14	1	PC.
082			231240-1	COMPRESSION SPRING 7	1	PC.
083			417252-0	POLE	1	PC.
084			234105-6	COMPRESSION SPRING 11	1	PC.
085			158973-2	BASE COMPLETE	1	PC.
086			424176-3	CAP 14	1	PC.
087			346032-6	LOCK PLATE	1	PC.
088			233105-3	COMPRESSION SPRING 4	2	PC.
089			450951-1	BASE PLATE	1	PC.
090			912112-6	COUNTERSUNK HEAD SCREW M4X10	4	PC.
091			266016-7	SET BOLT M5X10	2	PC.
100			652014-1	PAN HEAD SCREW M4X8(FOR SWITCH)	3	PC.
101			654038-3	INSULATED TERMINAL FT1.25-M4	3	PC.
102			654510-5	INSULATED CONNECTOR 5.5-SD	3	PC.
200			849944-7	CARTON	1	PC.

#### **ACCESSORIES**

- See catalogue or visit [www.makita.ca](http://www.makita.ca) for more optional accessories -

A01			158980-5	KNOB 55 COMPLETE	1	PC.
A02			763622-4	COLLET CONE 1/2"	1	PC.
A03			763803-0	COLLET SLEEVE FOR 1/4" BIT	1	PC.
	Opt.		763805-6	COLLET SLEEVE FOR 3/8" BIT	1	PC.
A04			781030-7	WRENCH 24	1	PC.

Item No	Type	Ref	Re Part No	Description	Qty	Unit
A05			123022-4	TRIMMER GUIDE ASS'Y	1	PC.
	INC.		342427-1	PLATE HOLDER	1	PC.
	INC.		941101-4	FLAT WASHER 5	1	PC.
	INC.		942101-7	SPRING WASHER 5	1	PC.
	INC.		924206-5	WING BOLT M5X10	1	PC.
	INC.		163053-1	ROLL	1	PC.
A07			193312-9	STRAIGHT GUIDE, W/MICRO ADJUSTMENT, STEEL	1	PC.
	INC.		193360-8	ROD 7, 2PC/SET	1	SET
	INC.		193292-9	ROD 8, 2PC/SET	1	SET
	INC.		193359-3	ROD 12, 2PC/SET	1	SET
A08			122256-6	GUIDE HOLDER ASSY(USE WITH A09)	1	PC.
A09			342428-9	STRAIGHT GUIDE(USE WITH A08)	1	PC.
A10			252627-4	NUT M30	1	PC.
A11			321492-3	TEMPLER GUIDE ADAPTER 30	1	PC.
A12			193235-1	TEMPLER GUIDE 25	1	PC.
A13			783208-8	HEX. WRENCH 2.5	1	PC.
A14			194368-5	GUIDE RAIL 1400MM	1	PC.
			194925-9	GUIDE RAIL 1900MM	1	PC.
			194367-7	GUIDE RAIL 3000MM	1	PC.
A16			P-80023	DUST NOZZLE SET	1	SET
A17			266491-7	* +PAN HEAD SCREW M6X135(see Notes)	1	PC.
A18			941152-7	* FLAT WASHER 6(see Notes)	1	PC.
A19			-----	DOVETAIL ROUTER BITS		
A20			122700-3	GUIDE HOLDER ASSY	1	PC.
A21			-----	TEMPLER GUIDES		
			345387-6	TEMPLER GUIDE 5/8" Use F/KJ150	1	PC.
A23			194385-5	GUIDE RAIL CLAMP SET	1	PC.
A24			196664-7	BEVEL GUIDE	1	PC.

\*Item No. A17 & A18: These Screw and Washer are used for Cutting Depth Adjustment when using Router Table purchased in the market. these parts are not coming with tool and not equipped in the tool.

